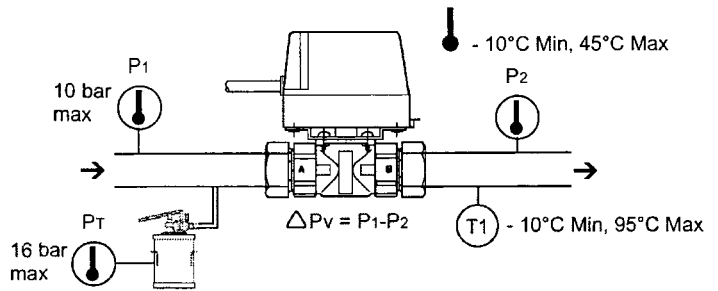


# Instructions HPV/HPVB/HP...B



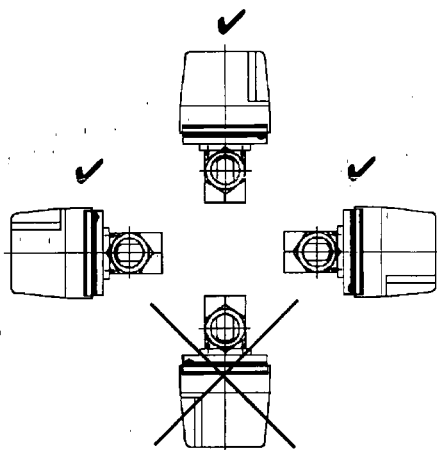
## 1) Specification / Specifikation / Technische Daten / Caractéristiques / Especificación / Dati tecnici / Specificaties

Size	Kv (M3/h)	$\Delta P_v$ (bar)	Type	
15mm	3.0	1.0	HPV15	HPVB15
	3.3		HPV22	HPVB22
22mm	5.8	0.7	HPV28	HPVB28
	8.2		HPV0.5	HPVB0.5
28mm	7.9	1.0	HPV0.75	HPVB0.75
	15.0		HPV1.0	HPVB1.0
1/2"	3.0	0.7	HPV15	HPVB15
3/4"	3.3		HPV22	HPVB22
	1"	5.8	1.0	HPV28
8.2		HPV0.5		HPVB0.5
1"	8.0	0.7	HPV0.75	HPVB0.75
	15.0		HPV1.0	HPVB1.0



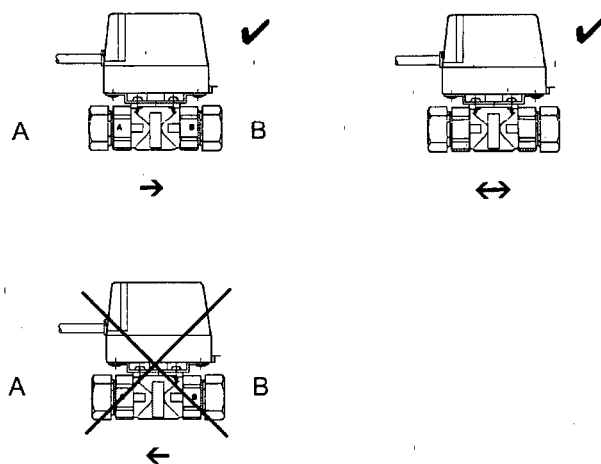
GB	DK	D	F	ES	I	NL
Electrically operated valve	Elektrisk betjente ventil	Elektrisch betriebenes Ventil	Electrovanne	Válvula operada eléctricamente	Elettrovalvola	Elektrische klep
Not for use with potable water	Må ikke benyttes i vandinstallationer	Trinkwasser nicht geeignet	Ne pas utiliser avec de l'eau potable	No indicado para usar con agua potable	Non usare con acqua potabile	Niet voor gebruik met drinkwater

## 2) Installation / Installation / Installation / Installation / Instalación / Installazione / Installatie

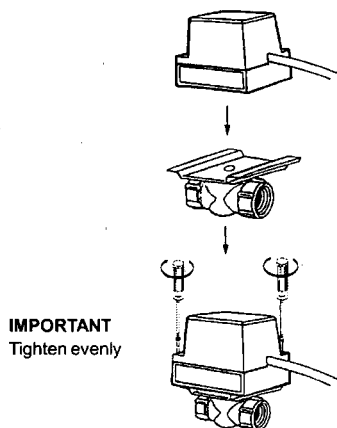


HPVB/HP...B

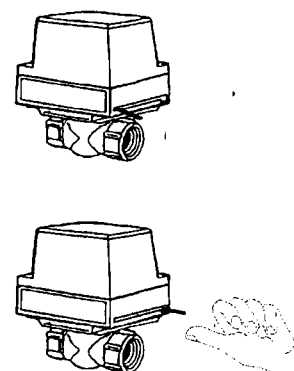
HPV



## 3) Assembly / Montage / Montage / Assemblage / Montaje / Assemblaggio / Montage

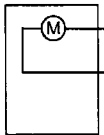
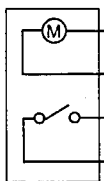
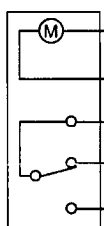


## 4) Operation / Driftsundstilling / Bedienung / Fonctionnement / Operación / Utilizzo / Bediening



# HPA/HP...B Instructions



GB	DK	D	F	ES	I	NL
Shown De-energised	Vist ved ikke-tilsluttet tilstand	Darstellung stromlos	Moteur hors tension	Esguema sin tensión	Attuatore non alimentato	Latenzien: niet in werking
HPA2N (6VA)	HPA2N (6VA)	HPA2N (6VA)	HPA2N (6VA)	HPA2N (6VA)	HPA2N (6VA)	HPA2N (6VA)
	Brown (L) Brun (L)	Braun (L)	Marron (L)	Marrón (L)	Marrone (L)	Bruin (L)
	Blue (N) Blå (N)	Blau (N)	Bleu (N)	Azul (N)	Blu (N)	Blauw (N)
Shown De-energised	Vist ved ikke-tilsluttet tilstand	Darstellung stromlos	Moteur hors tension	Esguema sin tensión	Attuatore non alimentato	Latenzien: niet in werking
HPA2/HP...B (6VA)	HPA2 (6VA)	HPA2 / HP...B (6VA)	HPA2 (6VA)	HPA2 (6VA)	HPA2 (6VA)	HPA2 (6VA)
	Brown (L) Brun (L)	Braun (L)	Marron (L)	Marrón (L)	Marrone (L)	Bruin (L)
	Blue (N) Blå (N)	Blau (N)	Bleu (N)	Azul (N)	Blu (N)	Blauw (N)
	Grey Grå	Grau	Grís	Gris	Grigio	Orys
	Orange Orange	Orange	Orange	Naranja	Arancio	Oranje
SPST. 3(1)A, 230VAC		Hilfsschalter				
Shown De-energised	Vist ved ikke-tilsluttet tilstand	Darstellung stromlos	Moteur hors tension	Esguema sin tensión	Attuatore non alimentato	Latenzien: niet in werking
HPA2C (6VA)	HPA2C (6VA)	HPA2C (6VA)	HPA2C (6VA)	HPA2C (6VA)	HPA2C (6VA)	HPA2C (6VA)
	Brown (L) Brun (L)	Braun (L)	Marron (L)	Marrón (L)	Marrone (L)	Bruin (L)
	Blue (N) Blå (N)	Blau (N)	Bleu (N)	Azul (N)	Blu (N)	Blauw (N)
	Orange Orange	Orange	Orange	Naranja	Arancio	Oranje
	White Hvid	Weiß	Blanc	Blanco	Bianco	Wit
	Grey Grå	Grau	Grís	Gris	Grigio	Orys
SPST. 3(1)A, 230VAC						

GB	DK	D	F	ES	I	NL	
Switch current rating	Kontaktbelastning	Nominale Kontaktstrom	Caractéristique de commutateur	Amperaje del interruptor	Portata dell'interruttore	Kontakt belasting	3(1)A
Switch action	Kontakttype	Schalterart	Type de commutateur	Tipo de interruptor	Tipo de interruptore	Kontakt type	Type 1B
Max temperature	Maks omgivende temperatur	Maximale Umgebungs-temperatur	Température ambiante maximale	Temperatura ambiente máxima	Temperatura ambiente massima	Maximale omgevings-tempeatuur	45°C
Enclosure rating	Tæthedegrad	Schutzart	Indice de protection	Protección IP	Grado di protezione	Beschermingsfaktor	IP40
Pollution situation	Kontrol forurenings	Emissionswerte	Etat du contrôle de pollution	Estado de control de polución	Situazione del controllo d'inquinamento	Emissie waarde	Degree 2
Ball pressure temp	Kugle tryk test	Kugeldruckprüfung	Tension assignée de tenue au choc	Ensayo de presión con bola	Test pressione sfera	Kogeltest	75°C
Open/close time	Ventilens åbne-/lukketid	Laufzeit öffnen/schließen	Temps d'ouverture/ de fermeture	Tiempo de apertura/ cierre	Tempo di apertura/ chiusura della valvola	Klepafsluiter open/ dicht lyden	30/10Sec
Rated impulse voltage	Nominel impuls spænding	Nenimpuls- spannung	Essai à la bille	Tensión del impulso	Tensione nominale d'impulso	Nominale pulsspanning	2.5K

GB	For operating voltage refer to rating label on product	NL	Spanning by in bedryf: zie labelop product
DK	For driftsspænding se vurderingsmærke på produkt	I	La tensione di esercizio è indicata sull'etichetta del prodotto
D	Betriebsspannung siehe Typenschild	ES	Tensión de operación. Ver etiqueta
F	Tension d'alimentation voir la plaque d'identification sur le produit		



This product complies with the following EC Directives:  
 Electro-Magnetic Compatibility Directive.  
 (EMC) (89\336\EEC), (92\31\EEC)  
 Low Voltage Directive.  
 (LVD) (73\23\EEC), (93\68\EEC)  
 Pressure Directive (PD) 97\23\EC

